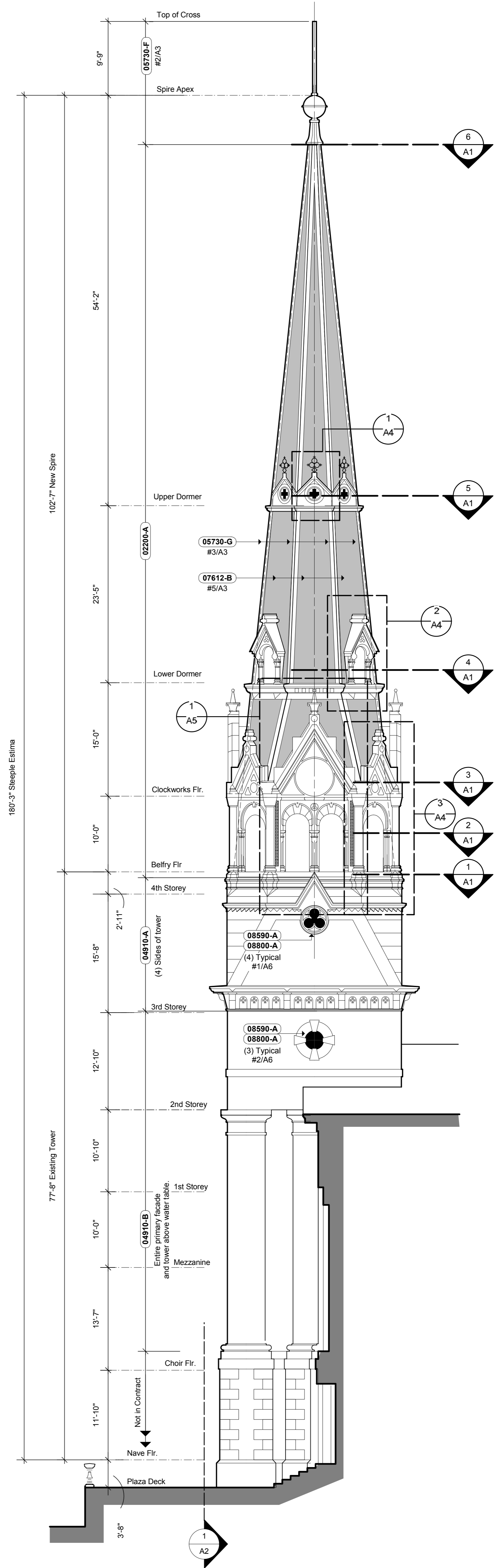


1 Southeast Elevation
Scale: 1/8" = 1'-0"



2 Northeast Elevation
Scale: 1/8" = 1'-0"

PROJECT:
Spire Replacement
at the
Saint Raphael Cathedral
 222 West Main Street - Madison, WI

Tag	Issuance / Revision	Date

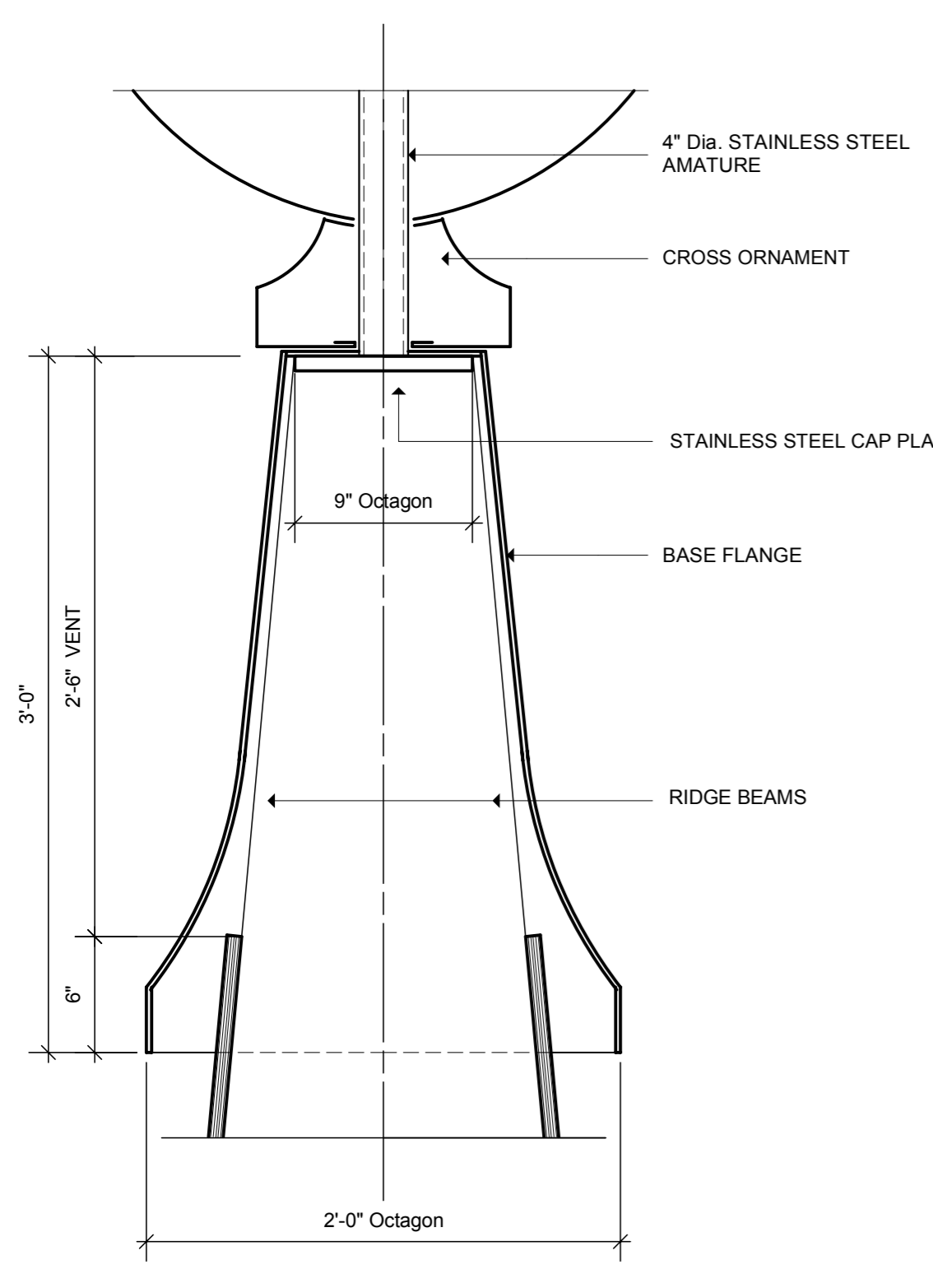
Sheet Name:
Spire Elevations

Dr. By: Ch. By: Project Number:
 AS NOTED 30302.1

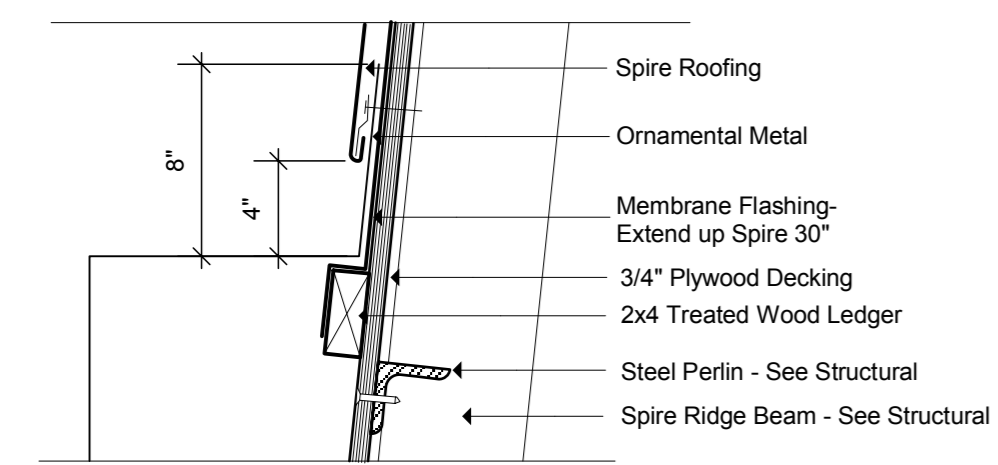
Scale: Date:
 AS NOTED Feb. 2004

Sheet Number:
A2

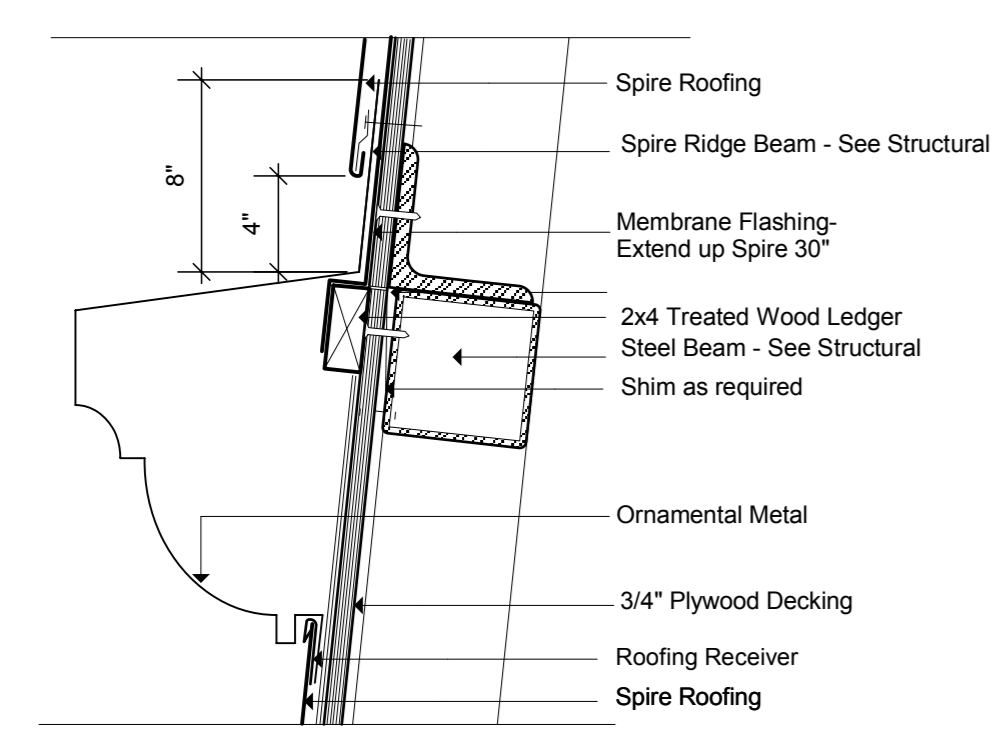
of sheets:



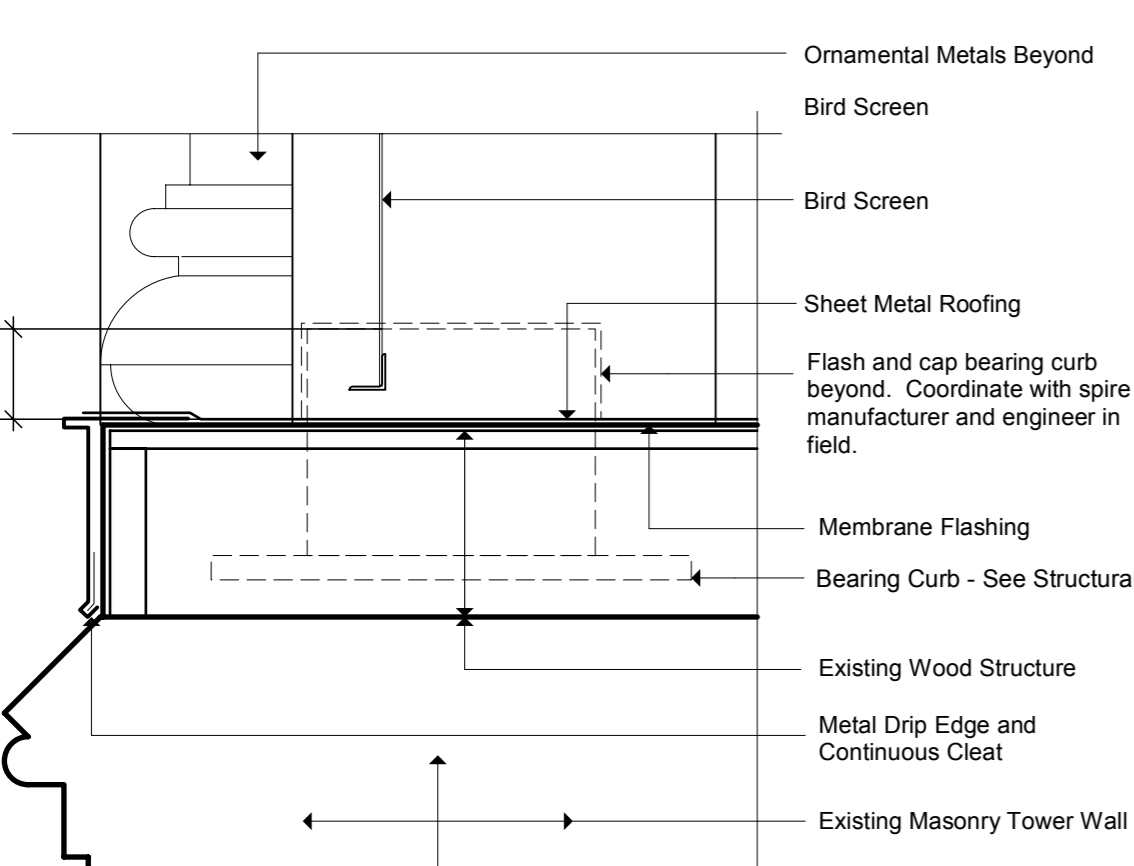
A Spire Apex Detail
 Scale: 1 1/2" = 1'-0"



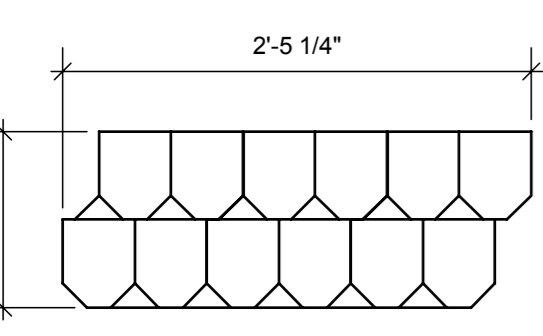
B Flashing Detail Addendum #1
 Scale: 1 1/2" = 1'-0"



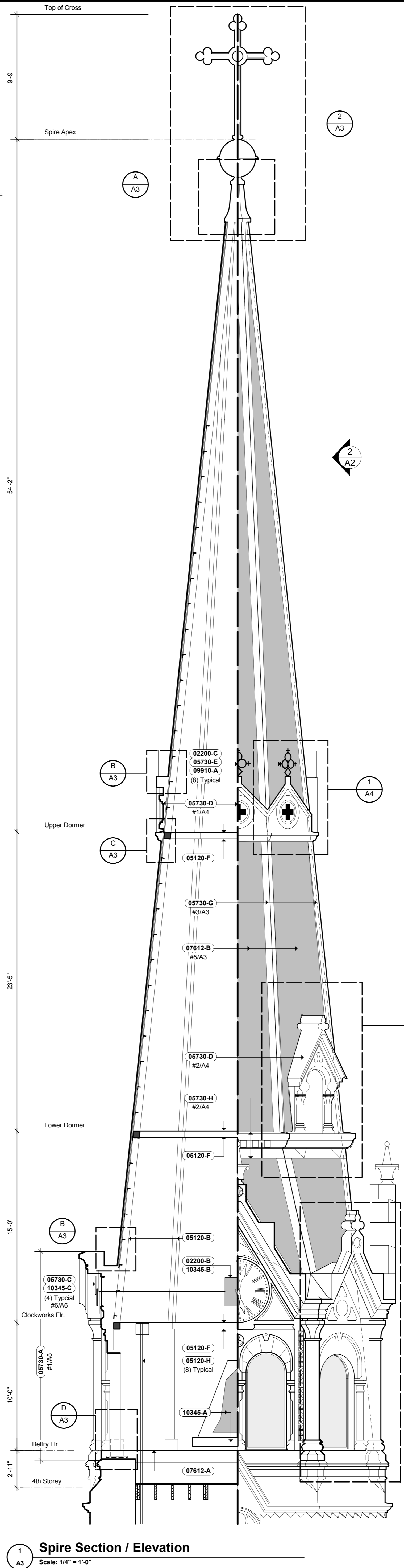
C Flashing Detail Addendum #1
 Scale: 1 1/2" = 1'-0"



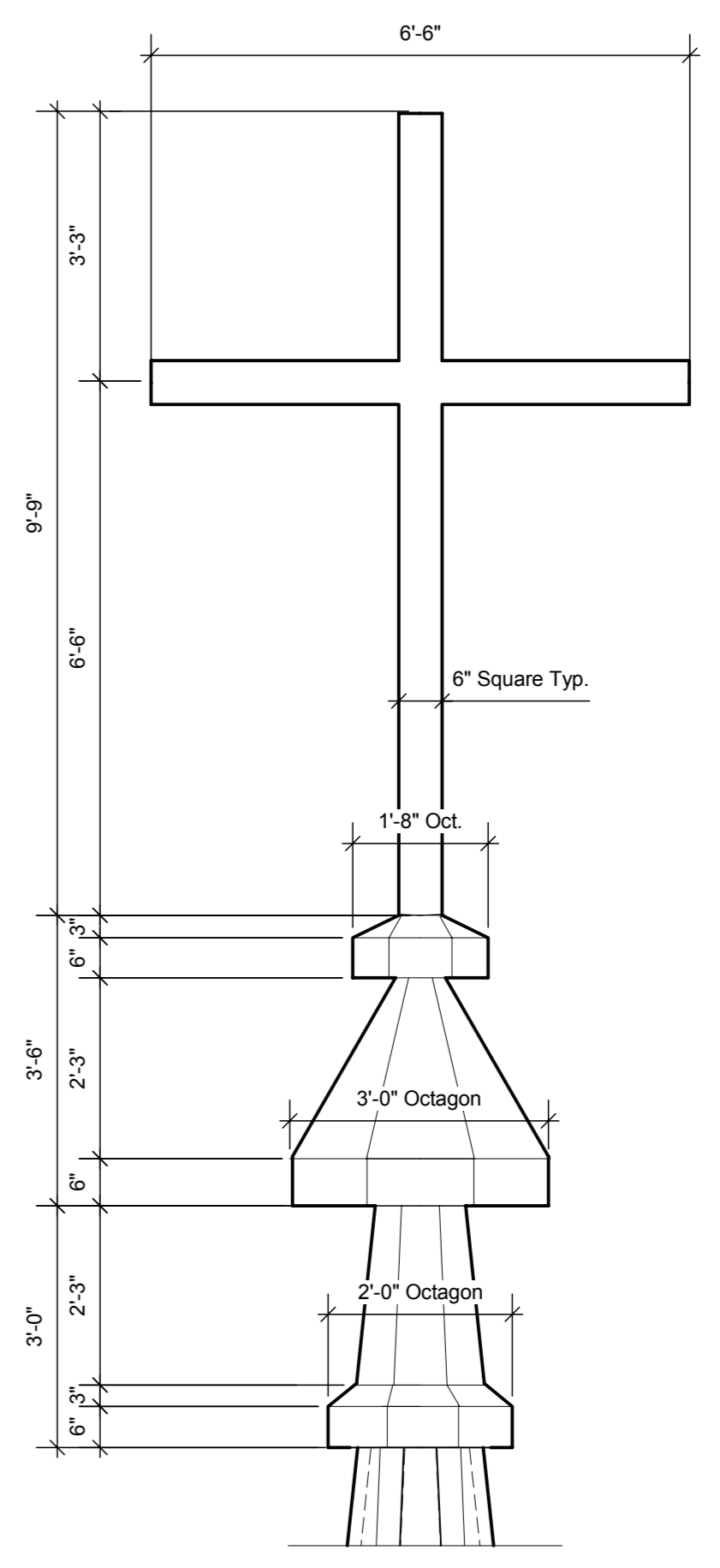
D Flashing Detail Addendum #1
 Scale: 1 1/2" = 1'-0"



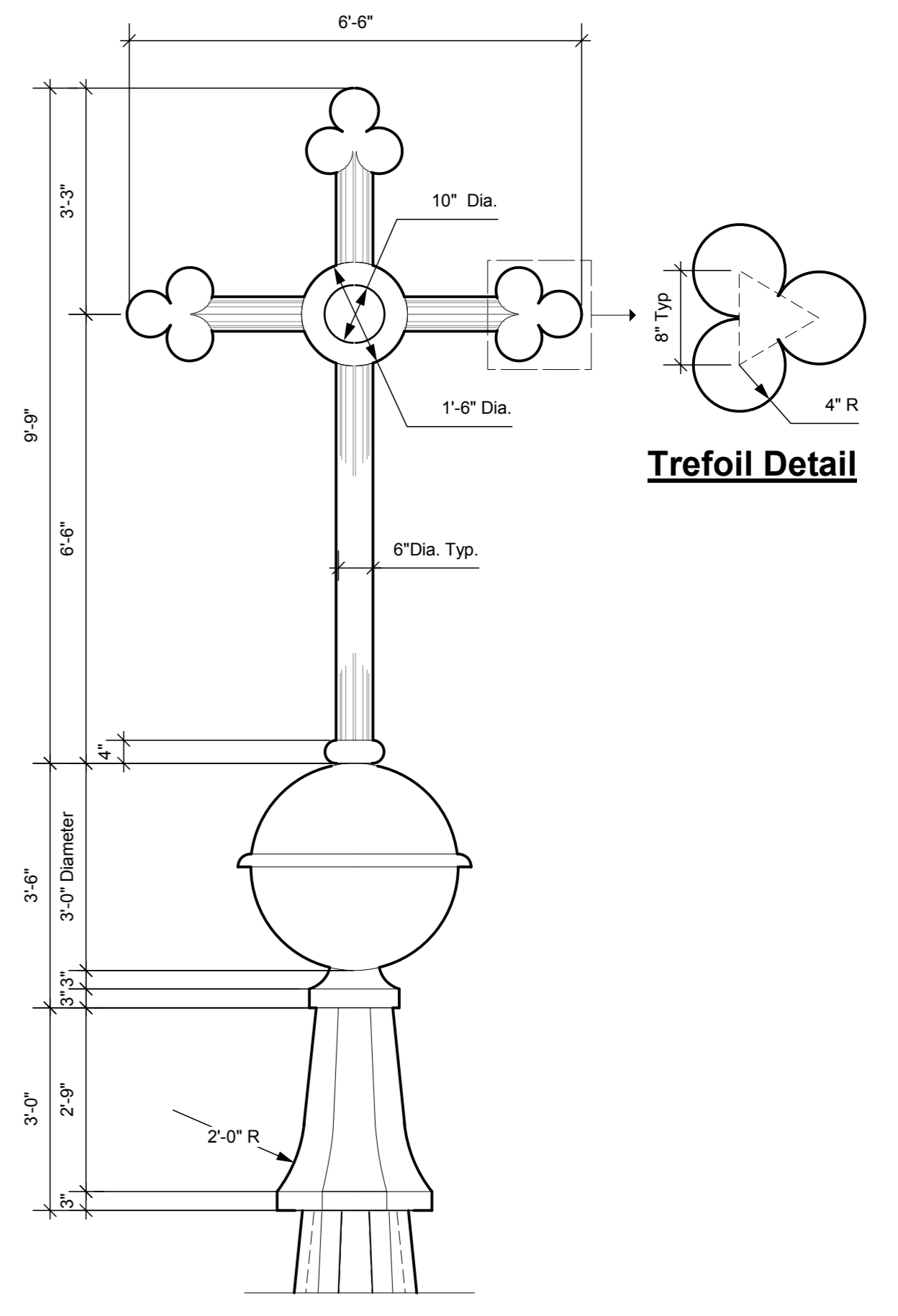
5 Shingle Detail
 Scale: 1/2" = 1'-0"



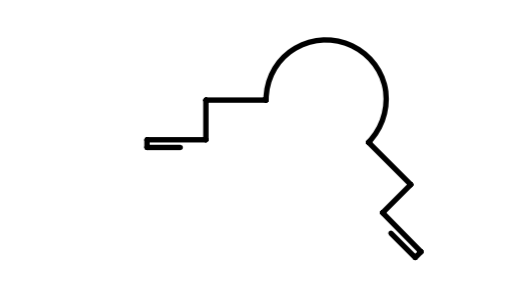
1 Spire Section / Elevation
 Scale: 1/4" = 1'-0"



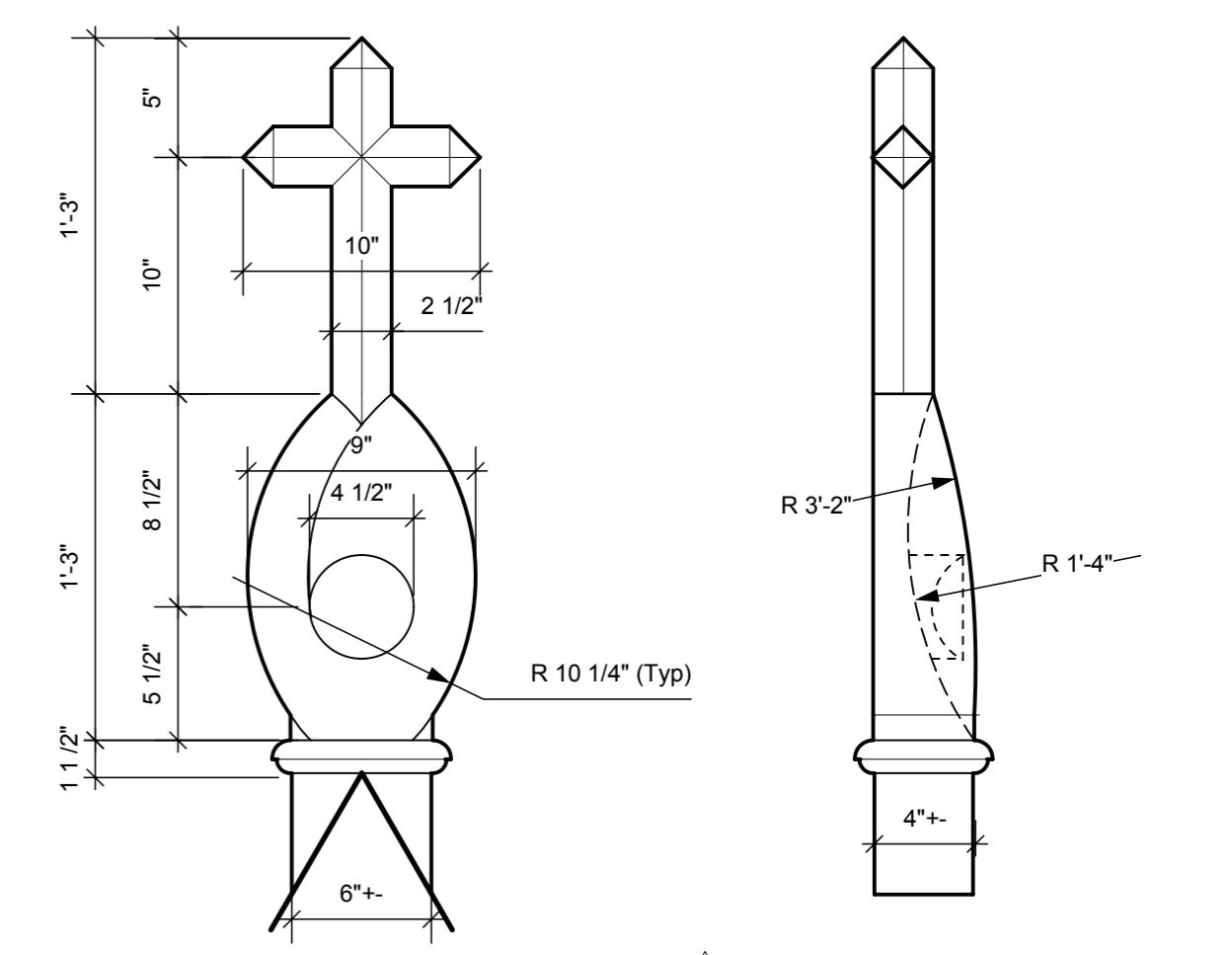
2 Cross Detail - Base Bid
 Scale: 1/2" = 1'-0"



2A Cross Detail - Alternate
 Scale: 1/2" = 1'-0"



3 Ridge Cap Detail
 Scale: 3" = 1'-0"



4 Stone Finial Detail Addendum #1
 Scale: 1 1/2" = 1'-0"

PROJECT: **Spire Replacement**
 at the
Saint Raphael Cathedral
 222 West Main Street -Madison, WI

Tag	Issuance / Revision	Date
▲	Addendum #1	02/16/04

Sheet Name:
Spire Section / Elevation
Details
 Dr. By: Ch. By: Project Number:
 AS NOTED 30302.1
 Date:
 Feb. 2004

Sheet Number:
A3
 of sheets:

